

NOTES:

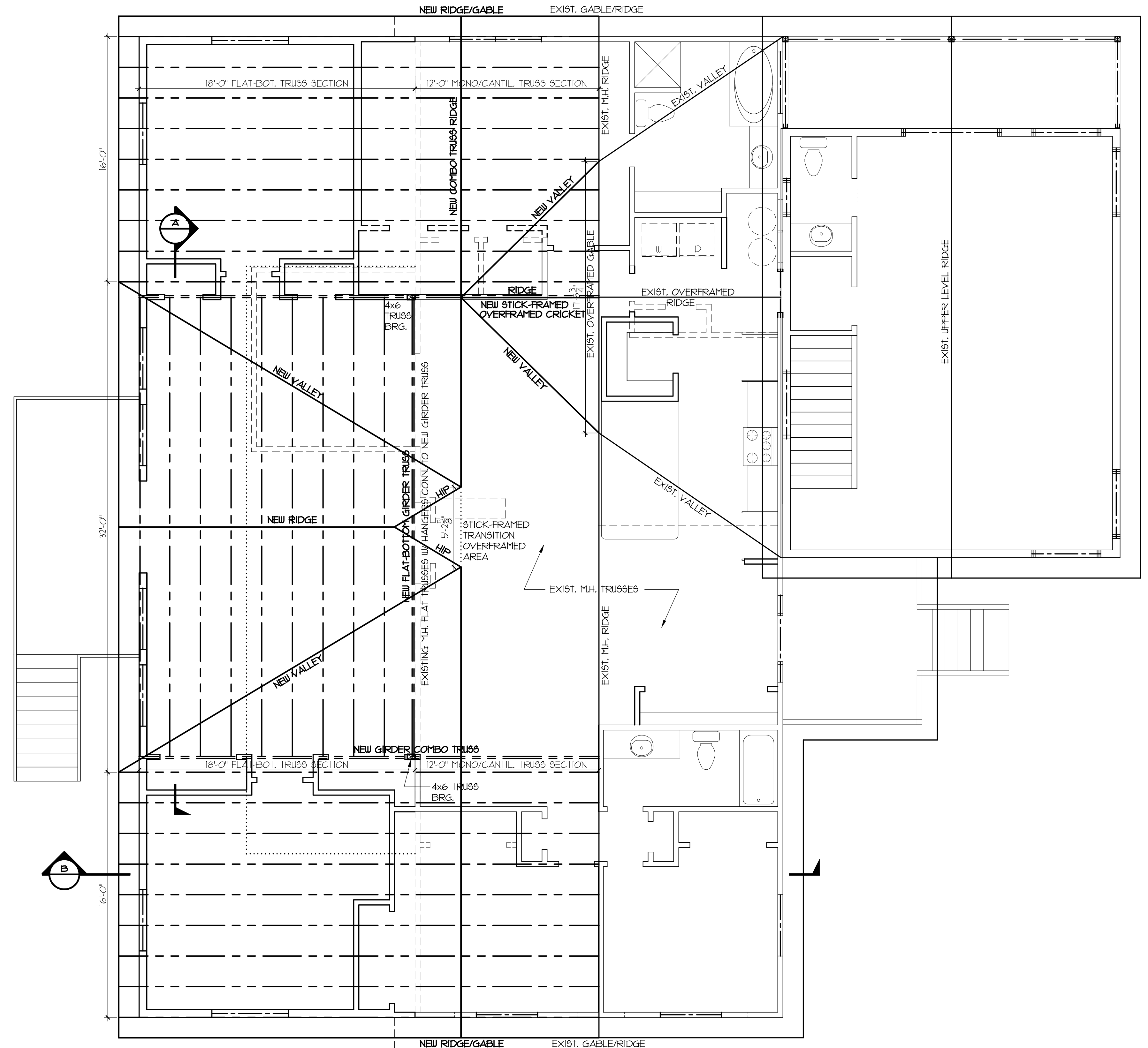
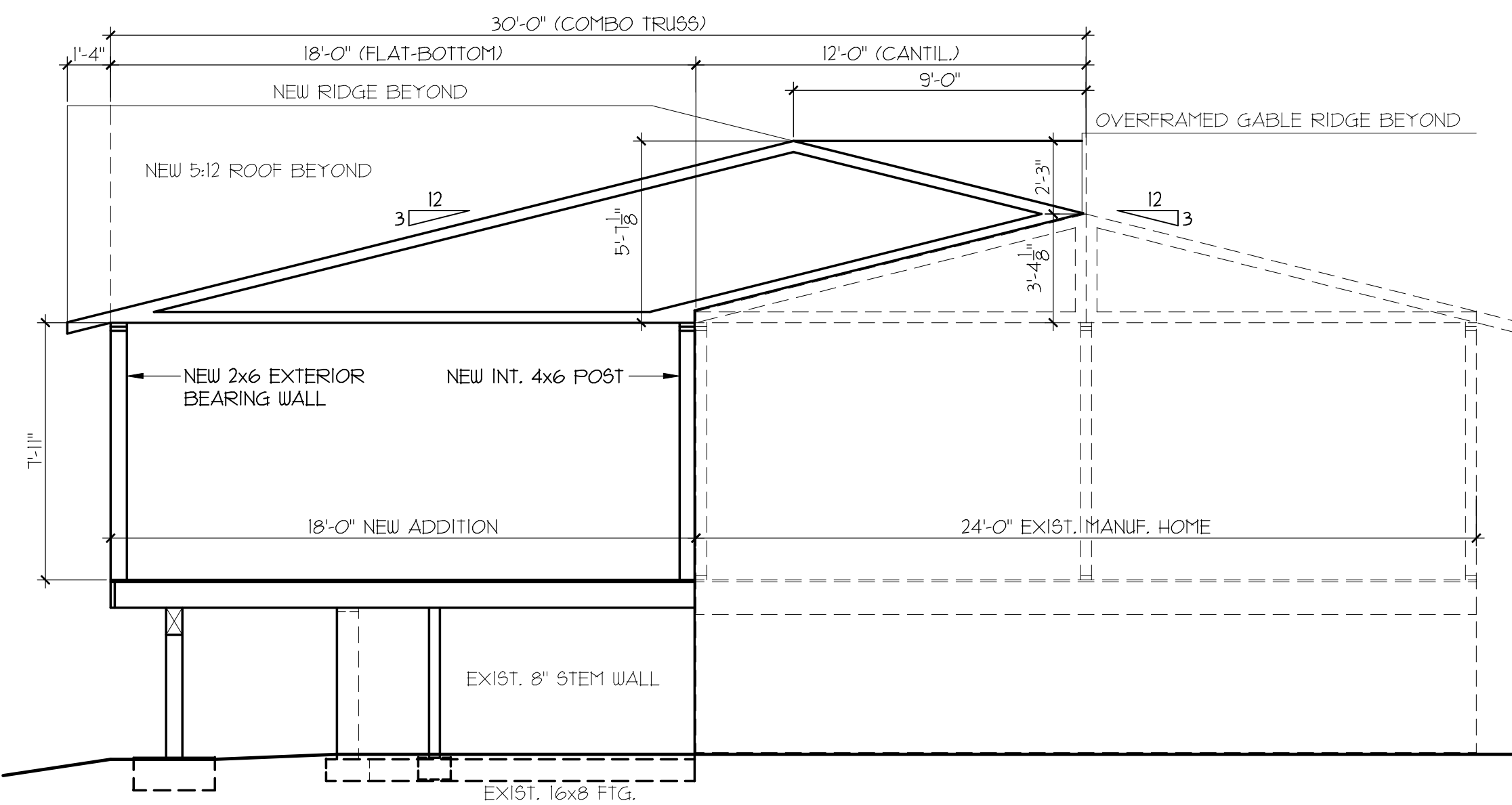
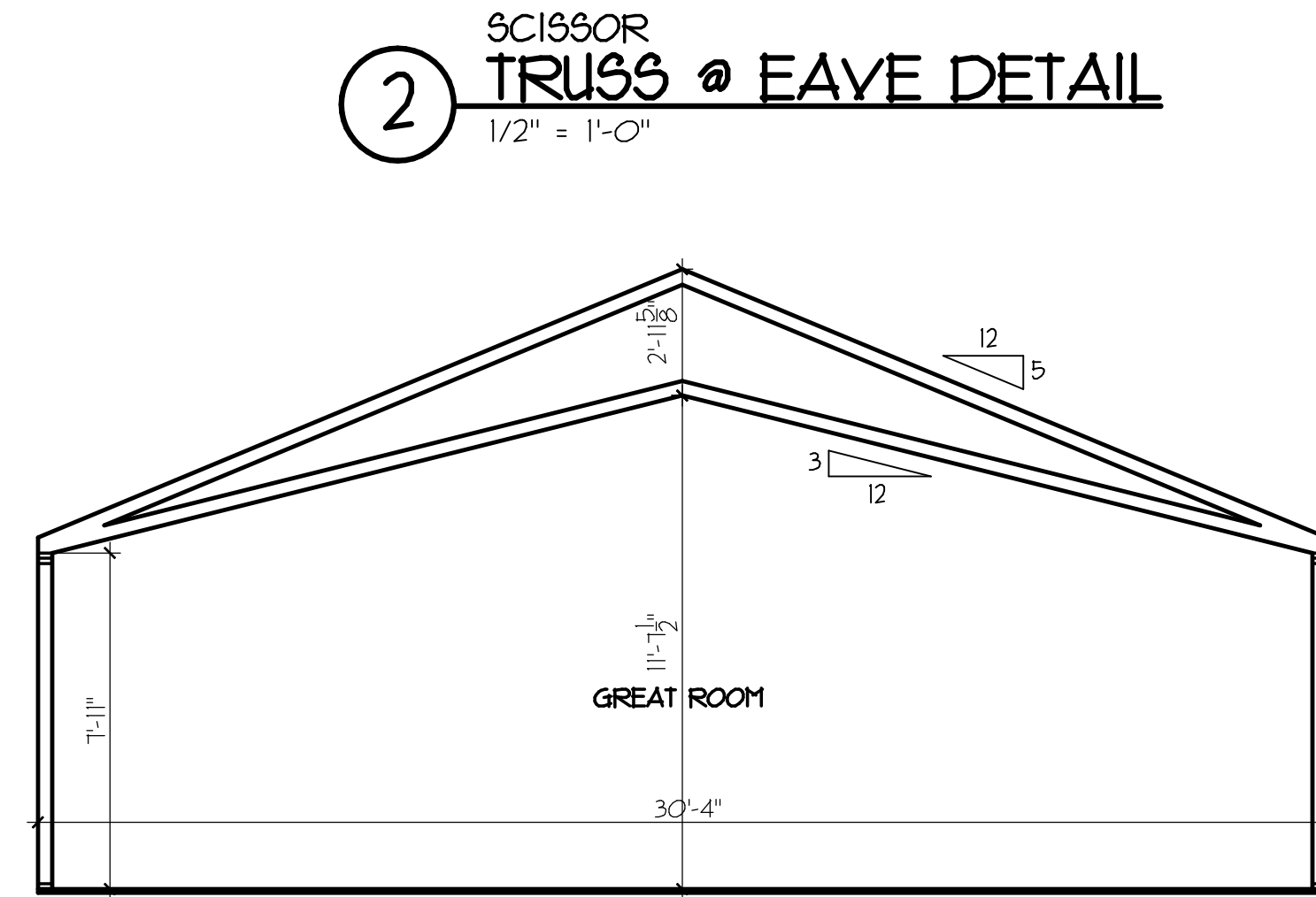
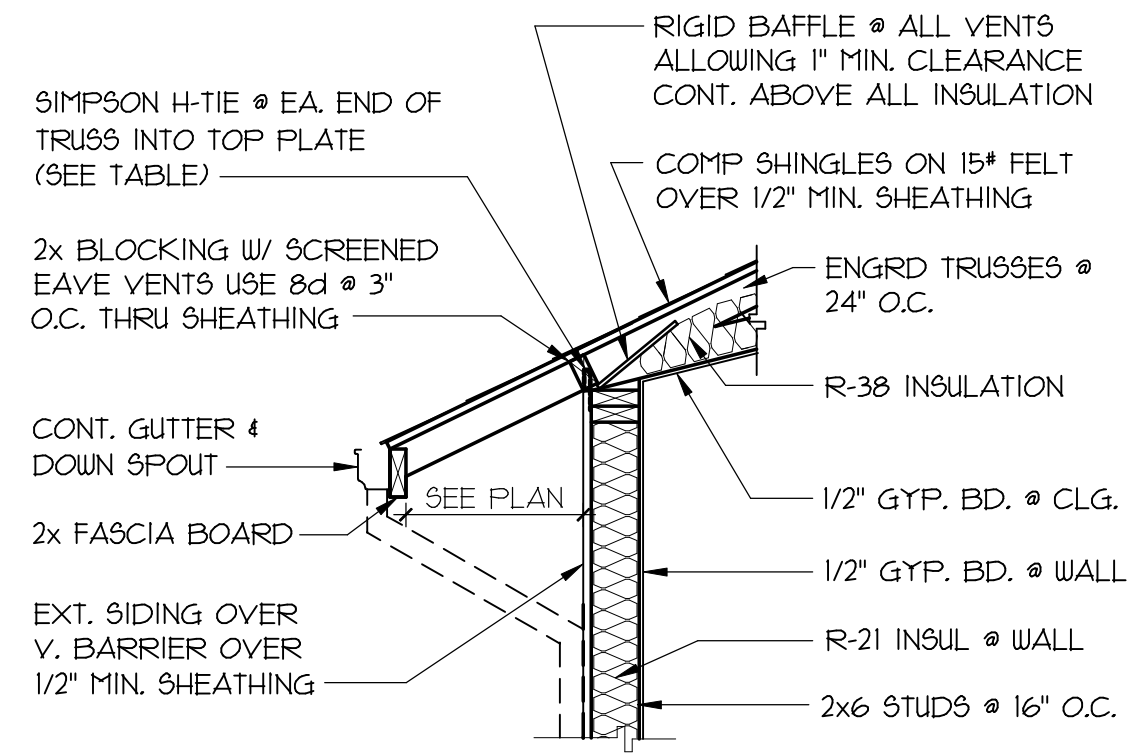
- BEAMS & HEADERS SIZED & LOCATED ON FRAMING PLANS.
- USE MTL FASTENERS @ ALL POST TO BEAM & BEAM TO BEAM CONNECTIONS.
- ALL HEADERS TO BE 4x8 2 DF UNLESS OTHERWISE NOTED.
- USE SOLID BLOCKING AT ALL BEARING.
- CONNECT TRUSSES TO NON-BEARING PARTITIONS BY TRUSS CLIPS ONLY.
- TRUSS MANUF. TO VERIFY DESIGN & ALL DIMENSIONS PRIOR TO CONSTRUCTION.

FRAMING NOTE
 FRAMING LAYOUTS ARE CONCEPTUAL ONLY. FINAL DESIGN AND LOADING TO BE VERIFIED PER STRUCT. ENGR., MANUF., OR CONTRACTOR.
 ANY CHANGES SHALL BE VERIFIED VIA GREAT HOUSE DESIGN AND / OR STRUCT. ENGR. PRIOR TO INSTALLATION DUE TO POSSIBLE STRUCTURAL AND FOUNDATION LOADING IMPLICATIONS.

RAFTER OVERFRAMING MAX. SPANS
 2x6 @ 24" O.C. = 7'-6"
 2x6 @ 16" O.C. = 9'-4"
 2x6 @ 12" O.C. = 10'-8"
 2x8 @ 24" O.C. = 10'-0"
 2x8 @ 16" O.C. = 12'-2"
 2x8 @ 12" O.C. = 14'-0"

TRUSS MANUF. NOTE
 VERIFY AND MODIFY ALL TRUSSES AS REQUIRED TO ENSURE ALL FASCIAS / RAKES LINE-UP / MATCH AROUND ENTIRE ROOF SYSTEM PER ELEVATIONS

HEADER SCHEDULE
NOTE:
 HEADERS TO BE 2 DFL OR BETTER TYP. OR AS SPECIFIED (VERIFY PER ATTACHED ENGRG)
 UP TO 48" 4x6 MIN.
 48" - 72" 4x8 MIN.
 72" - 96" 4x10 MIN.
 OVER 96" AS SPECIFIED



REVISIONS	BY
6-20-13	TVB
6-28-13	TVB
7-30-13	TVB

CUSTOM ADDITION FOR:
COLTON
 34335 HWY 58
 EUGENE, OR

GREAT HOUSE DESIGN
 P.O. BOX 41999 • EUGENE, OR 97404

PHONE (541) 688-3492
 FAX (541) 342-7966
 E-MAIL Tim@GreatHouseDesignNW.com

ROOF FRMG. SECTIONS / DETAILS
 "DESIGNING YOUR DREAMS"

Date 3-16
 Scale AS NOTED
 Drawn TVB
 5 of 6
 Sheet Sheet