

REVISIONS	BY
6-20-13	TVB
6-28-13	TVB
1-30-13	TVB

CUSTOM ADDITION FOR:
COLTON
34335 HWY 58
EUGENE, OR

GREAT HOUSE DESIGN
P.O. BOX 4199 • EUGENE, OR 97404

PHONE (541) 688-3492
FAX (541) 342-7966
E-MAIL Tim@GreatHouseDesignW.com

UPPER FLOOR & ROOF FRMG.
SECTION / DETAILS
"DESIGNING YOUR DREAMS"

- NOTES:**
- BEAMS & HEADERS SIZED & LOCATED ON FRAMING PLANS.
 - USE MTL. FASTENERS @ ALL POST TO BEAM & BEAM TO BEAM CONNECTIONS.
 - ALL HEADERS TO BE 4x8 #2 UNLESS OTHERWISE NOTED.
 - USE SOLID BLOCKING AT ALL BEARING. CONNECT TRUSSES TO NON-BEARING PARTITIONS BY TRUSS CLIPS ONLY.
 - TRUSS MANUF. TO VERIFY DESIGN & ALL DIMENSIONS PRIOR TO CONSTRUCTION.

RAFTER OVERFRAMING MAX. SPANS

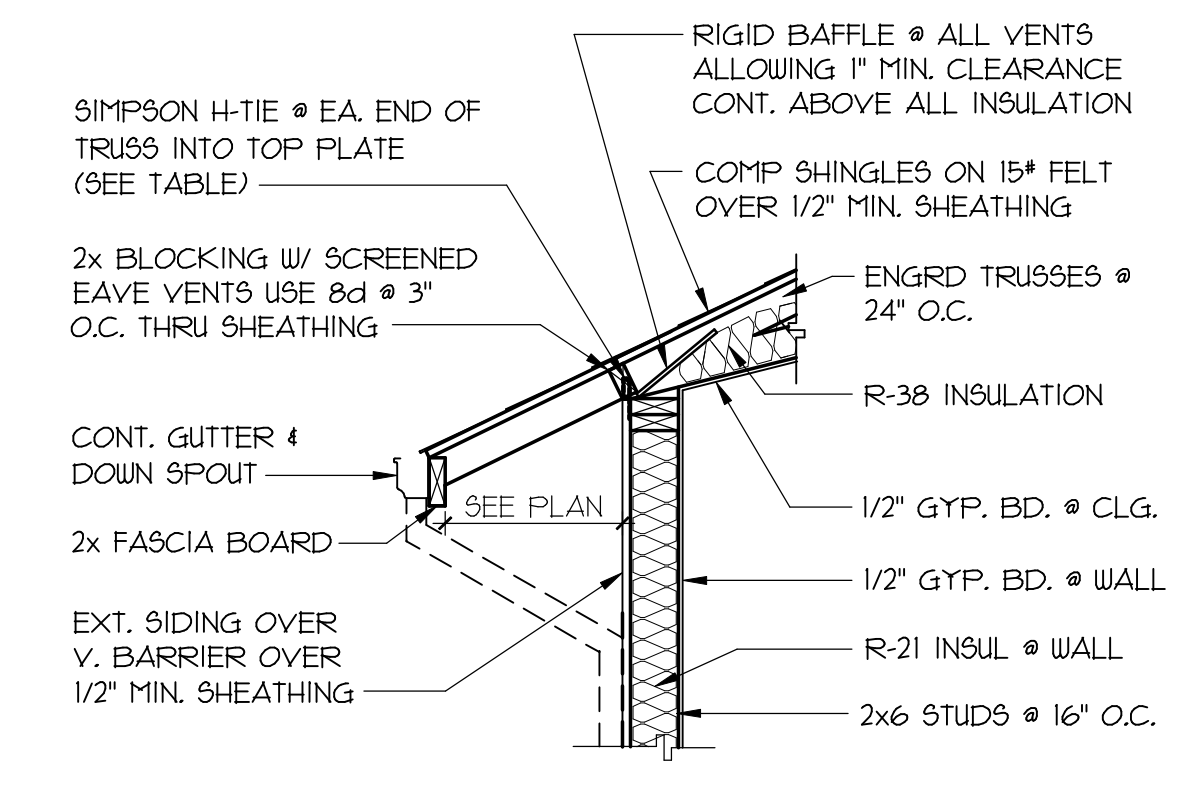
2x6 @ 24" O.C. = 7'-6"
2x6 @ 16" O.C. = 9'-4"
2x6 @ 12" O.C. = 10'-8"
2x8 @ 24" O.C. = 10'-0"
2x8 @ 16" O.C. = 12'-2"
2x8 @ 12" O.C. = 14'-0"

HEADER SCHEDULE

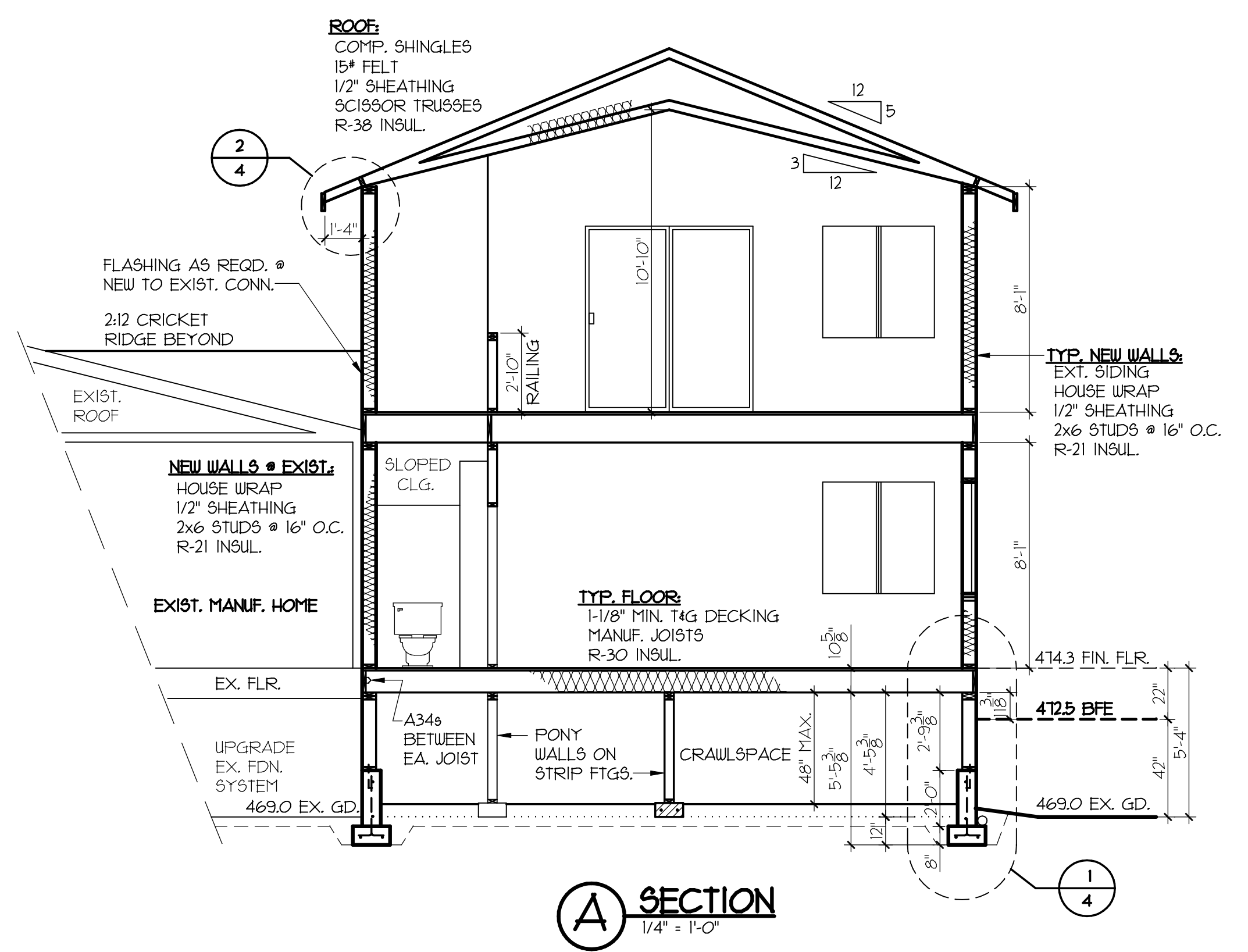
NOTE:
HEADERS TO BE #2 DFL OR BETTER TYP. OR AS SPECIFIED (VERIFY PER ATTACHED ENGR.)

UP TO 48"	4x6 MIN.
48" - 72"	4x8 MIN.
72" - 96"	4x10 MIN.
OVER 96"	AS SPECIFIED

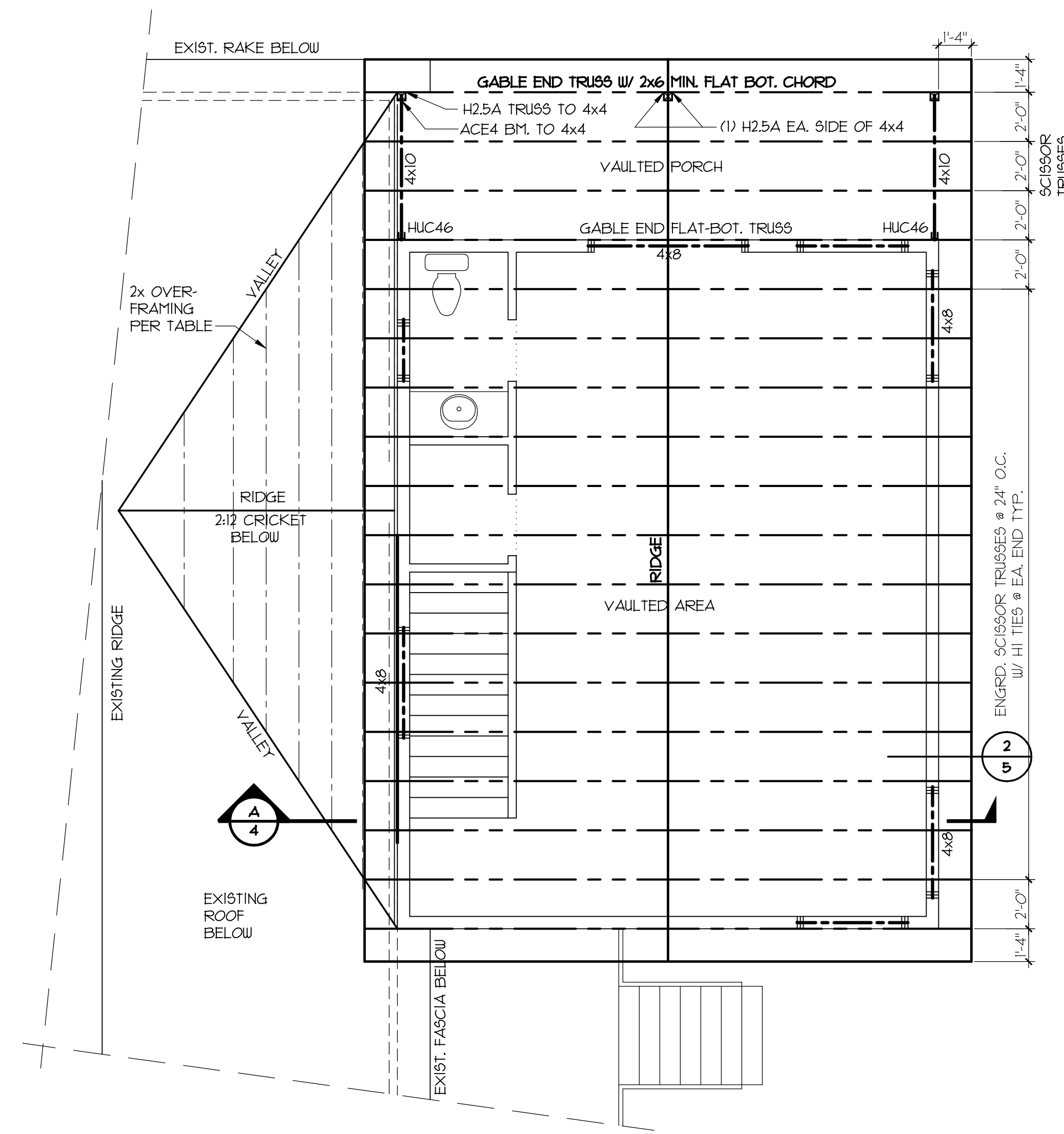
TRUSS MANUF. NOTE
VERIFY AND MODIFY ALL TRUSSES AS REQUIRED TO ENSURE ALL FASCIAS / RAKES LINE-UP / MATCH AROUND ENTIRE ROOF SYSTEM PER ELEVATIONS



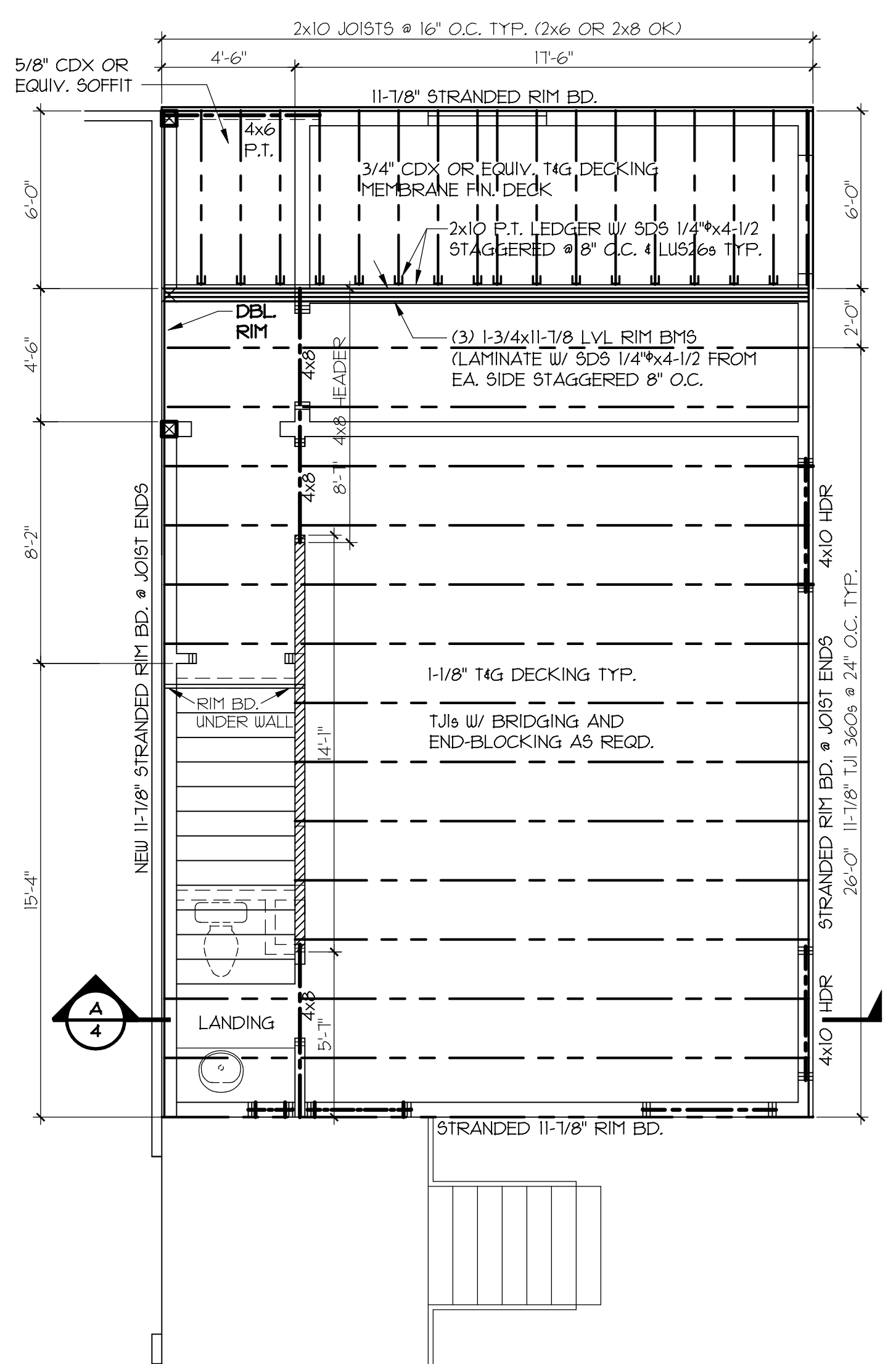
2 SCISSOR TRUSS @ EAVE DETAIL
1/2" = 1'-0"



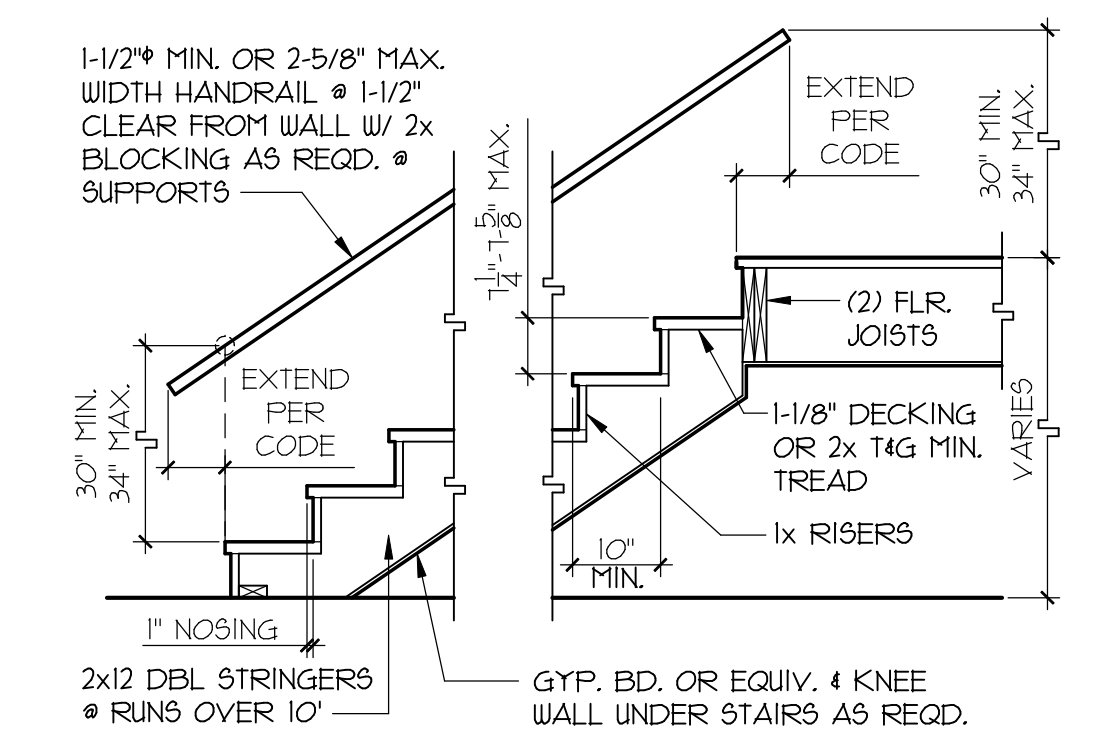
A SECTION
1/4" = 1'-0"



ROOF FRAMING PLAN
1/4" = 1'-0"



UPPER FLOOR FRAMING PLAN
1/4" = 1'-0"



3 STAIR DETAIL
1/2" = 1'-0"

FRAMING NOTE
FRAMING LAYOUTS ARE CONCEPTUAL ONLY. FINAL DESIGN AND LOADING TO BE VERIFIED PER STRUCT. ENGR., MANUF., OR CONTRACTOR.

ANY CHANGES SHALL BE VERIFIED VIA GREAT HOUSE DESIGN AND / OR STRUCT. ENGR. PRIOR TO INSTALLATION DUE TO POSSIBLE STRUCTURAL AND FOUNDATION LOADING IMPLICATIONS.